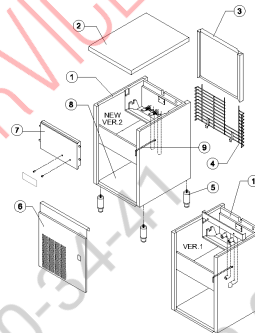




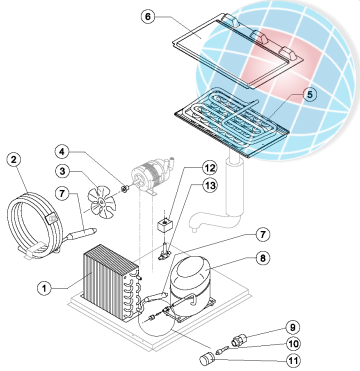
**MODELLO/MODEL:** 730543-730544-730563-730564-730584-730585-730571-730160



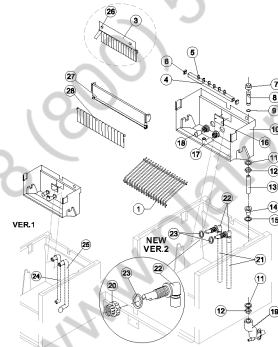
**INVOLUCRO/SHELL**



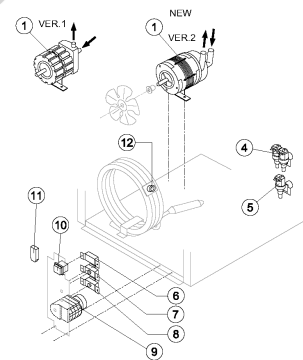
**GRUPPO FRIGORIFERO/COOLING SYSTEM**



**CIRCUITO IDRAULICO/HYDRAULIC CIRCUIT**

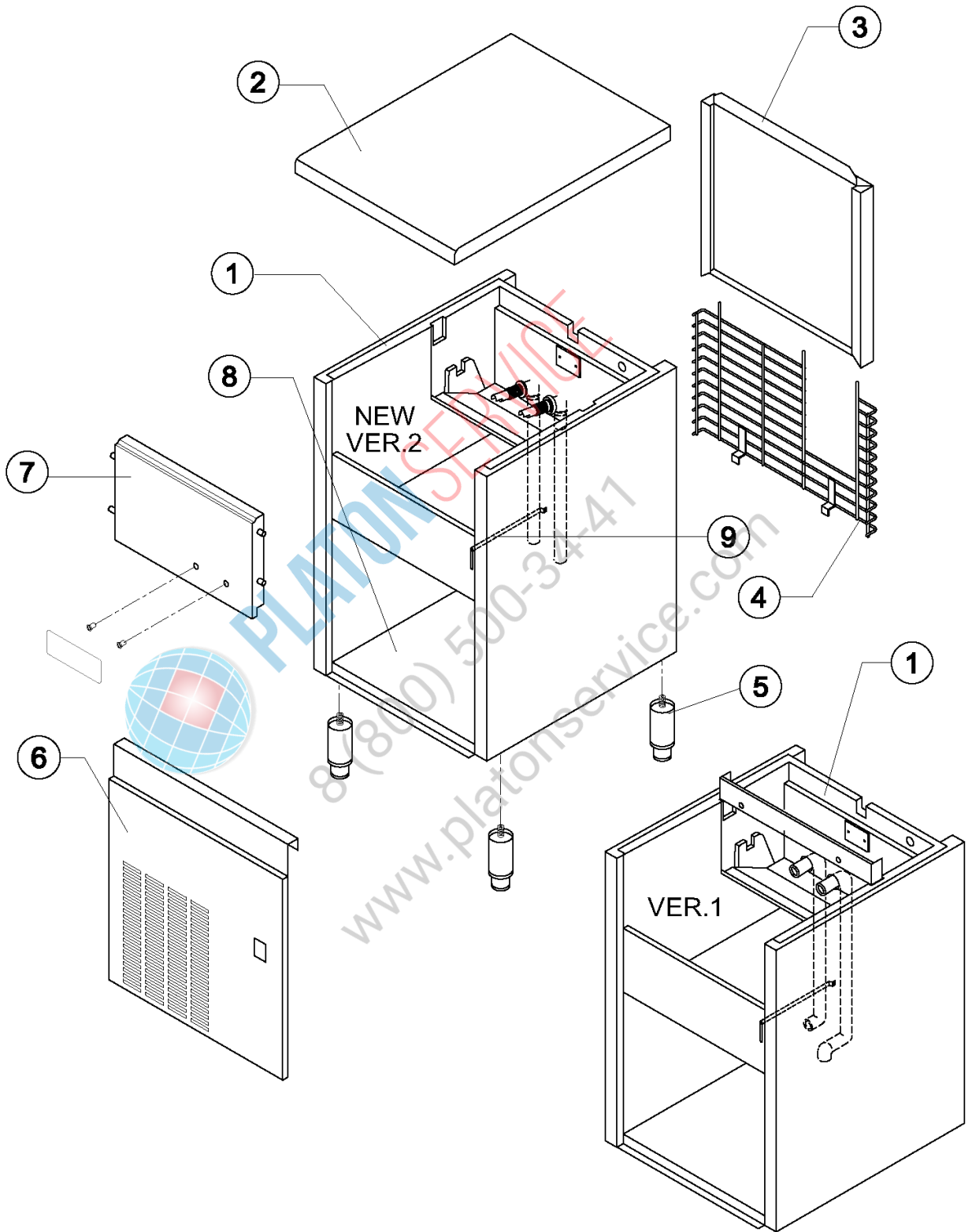


**PARTI ELETTRICHE/ELECTRIC PARTS**



Rev. 6 - 30/07/2007

Rev. 6 - 30/07/2007

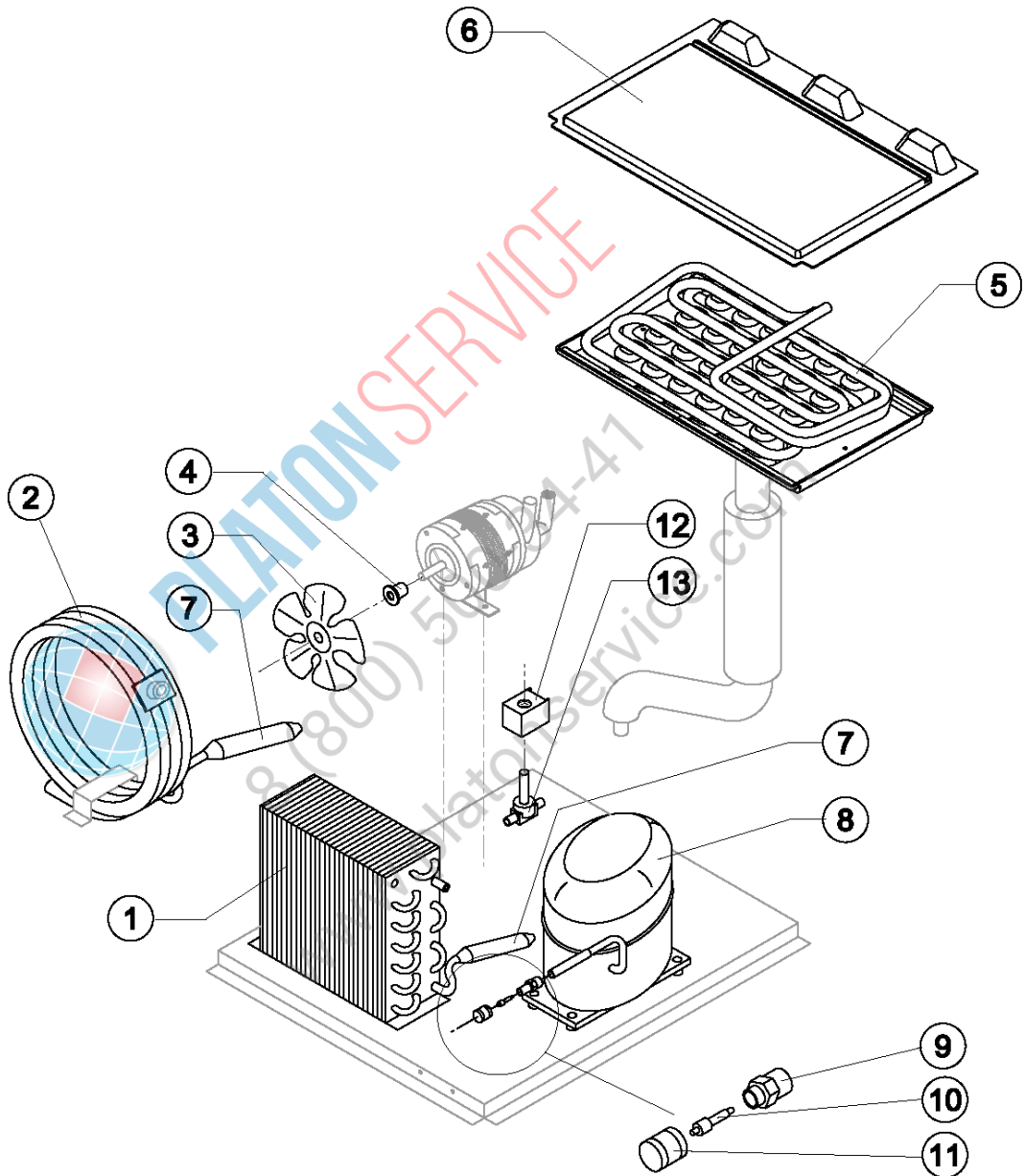


??????	730543								
??????	SP730543	???????? 2	SHELL						
.		Alias		S		.			(Euro)
0001	000000	C11004/E						18 g. (Standard)	
0001	000000	C11004/E						33 g.	
0001	000000	C11004/ED						13 g.	
0001	000000	RC11004A						Aria/Air	
0001	000000	RC11004W						Acqua/Water	
0002	0KK205	C22692		D			TOP ASSEMBLY		130,90
0003	091634	C21182					REAR PANEL; COMPLETE		44,36
0004	093959	D12006		D			REAR GRILL		14,32
0005	085306	10040					FOOT		
0005	089783	20613					FOOT; ADJUSTABLE		8,58
0006	0U1272	22702		D			FRONT FACIA PANEL		67,09
0007	099208	C10297					DOOR; ASS.		110,60
0008	000000	21013							
0008	000000	21279							
0009	000000	20522							



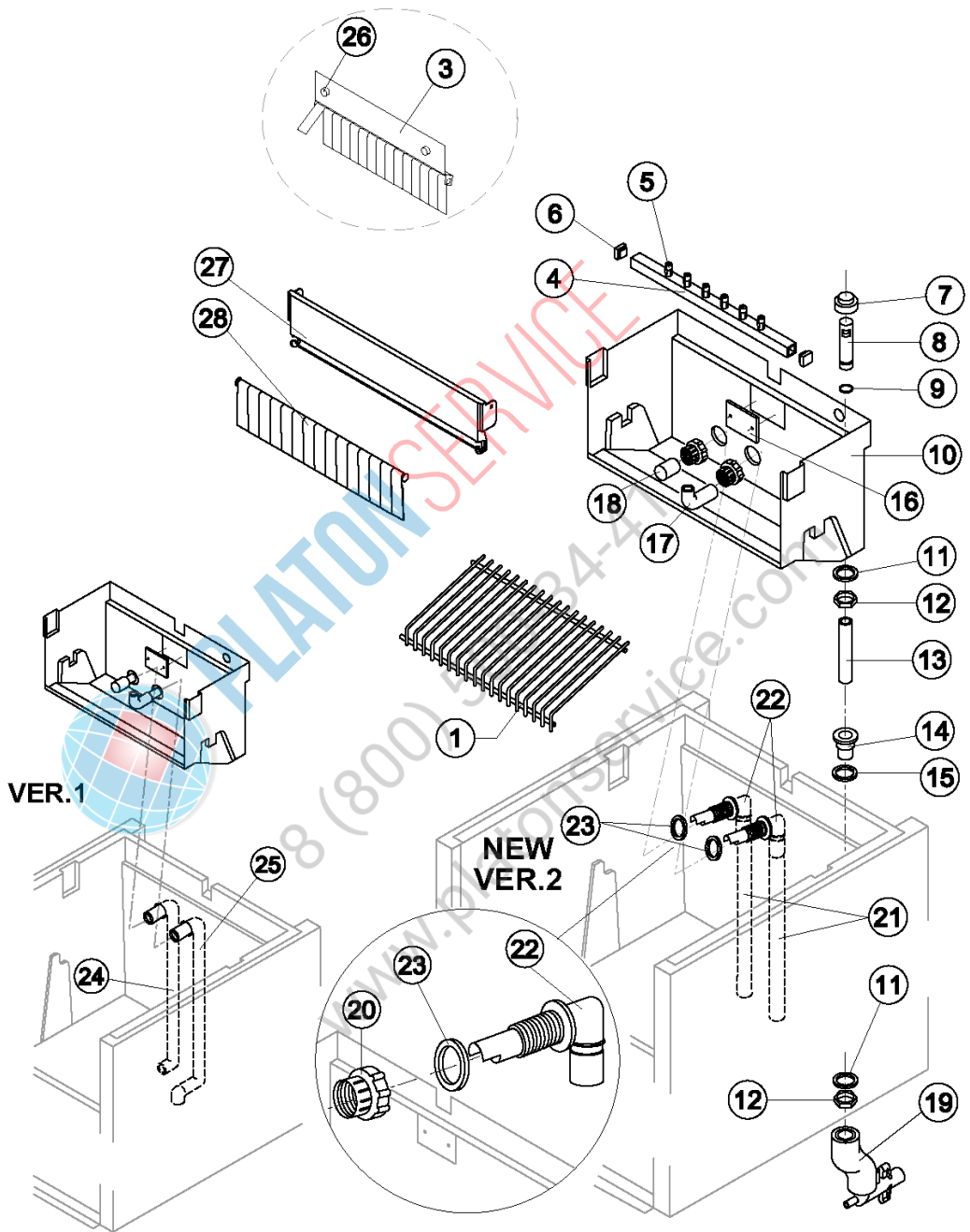
PLATON SERVICE  
 8 (800) 500-34-47  
 www.platonservice.com

Rev. 6 - 30/07/2007



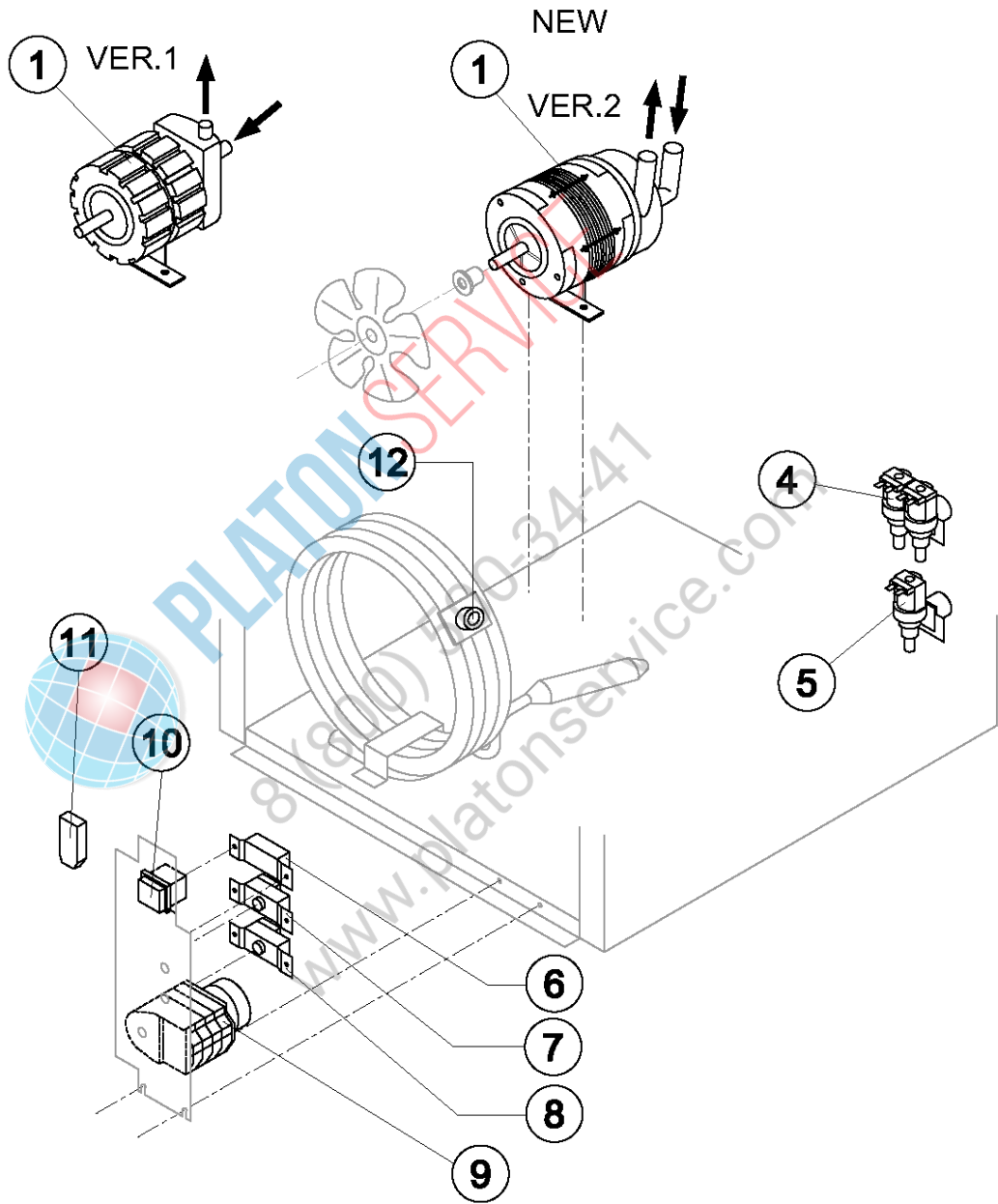
??????	730543									
??????	SP730543	???????? 3							COOLING SYSTEM	
.		Alias		S		.				(Euro)
0001	085607	20283							CONDENSER	57,04
0002	000000	14014								
0003	085287	10213							FAN BLADE	7,00
0004	OKK248	10014							HUB	1,38
0005	000000	D10089							33 g.	
0005	000000	D10417							13 g.	
0005	000000	D10465							42 g.	
0005	0U1252	D10046							EVAPORATOR FCG30A	18 g. (Standard) Cube 143,10
0006	000000	10023							Fino a Matr. 224519/Till s/n. 224519	
0006	091382	10449			D				COVERING; FOR EVAPORATOR	Versione Attuale/Current Version 7,22
0007	000000	14009								
0008	085599	23441							COMPRESSOR	220/240V 50 Hz
0008	089084	23446							COMPRESSOR	110/115V 60 Hz 179,70
0008	OKV668	23494							COMPRESSOR;AEZ4425;208 220V 60HZ;R404A	220/230V 60 Hz 195,90
0009	085292	14007			D				VACUUM CHARGE VALVE BODY	2,01
0010	000000	14005								
0011	000000	14006								
0012	085289	23091							HOT GAS VALVE COIL	220/230V 60 Hz 32,07
0012	085289	23091							HOT GAS VALVE COIL	220/240V 50 Hz 32,07
0012	091360	23256							COIL	110/115V 60 Hz 113,70
0013	087965	20410							HOT GAS VALVE BODY	69,22

Rev. 6 - 30/07/2007



??????	730543									
??????	SP730543	???????? 4							HYDRAULIC CIRCUIT	
.		Alias		S			.			(Euro)
0001	000000	D12030							33 g.	
0001	000000	D12030							42 g.	
0001	000000	D12038							13 g.	
0001	OKK200	D12008						ICE CUBES SLIDE	18 g. (Standard)	10,89
0003	085325	C22035						COMPLETE KIT FLAGS AND	Fino a Matr. 380248/Till s/n. 380248	44,86
0004	000000	C20029							18 g. (Standard)	
0004	000000	C20189							13 g.	
0004	093465	C20155			D			SPRAYERS BAR ASSEMBLY; FOR CUBE 33GR.	33 g.	42,83
0004	093465	C20155			D			SPRAYERS BAR ASSEMBLY; FOR CUBE 33GR.	42 g.	42,83
0005	085268	D20002			S			SPRAYER		3,01
0006	000000	10012								
0007	000000	10305								
0008	087972	10133						OVERFLOW CONNECTOR		1,41
0009	087973	20233			D			GASKET		1,33
0010	094626	10253			D			INNER BASIN; 316-416-425		32,48
0011	034244	13007						GASKET		1,73
0012	091716	10096			D			NUT		3,07
0013	000000	13107								
0014	000000	10472								
0015	034243	13006						GASKET		1,73
0016	008009	10009						SPRING		53,49
0017	OKV671	13005						SPRAYERS FEEDING PIPE		4,28
0018	000000	20005								
0019	085275	C10006						MANIFOLD		16,83
0019	085276	C26452						MANIFOLD		15,31
0020	0HA006	10405			D			GUARNIZIONE ANGOLARE VASCA	Version 2	1,73
0021	000000	13137							Version 2	
0022	0D5919	10404						AXIS; ROUE TR250	Version 2	12,98
0023	000000	13143							Version 2	
0024	OKK241	13013						PUMP SUCTION PIPE	Version 1	
0025	OKK240	13014						PUMP DELIVERY PIPE	Version 1	11,50
0026	000000	20009							Fino a Matr.380248/Till s/n. 380248	
0027	0D1817	10526			D			LOWER STLESS STL COVER TBM120/50	Versione Attuale/Current Version	
0028	092805	C10534			S			ROD; COMPLETE	Versione Attuale/Current Version	14,32

Rev. 6 - 30/07/2007





??????	730543									
??????	SP730543		???????? 5						ELECTRIC PARTS	
.		Alias		S			.			(Euro)
0001	000000	23002							Version 1 - 220/230V 60 Hz	
0001	000000	23002							Version 1 - 220/240V 50 Hz	
0001	037874	23663						PUMP; 60 HZ	Version 2 - 110/115V 60 Hz	149,20
0001	089693	23264						PUMP; 115V 60HZ	Version 1 - 110/115V 60 Hz	140,10
0001	089699	23377		S				PUMP; 220-240V 50/60HZ 1-P	Version 2 - 220/230V 60 Hz	175,60
0001	089699	23377		S				PUMP; 220-240V 50/60HZ 1-P	Version 2 - 220/240V 50 Hz	175,60
0004	000000	23116							Parts for Wayer Cooled Version Only - 220/230V 60 Hz	
0004	000000	23116							Parts for Wayer Cooled Version Only - 220/240V 50 Hz	
0004	000000	23322							Parts for Wayer Cooled Version Only - 110/115V 60 Hz	
0005	000000	23115							Parts for Air Cooled Version Only - 220/230V 60 Hz	
0005	000000	23115							Parts for Air Cooled Version Only - 220/240V 50 Hz	
0005	000000	23410							Parts for Air Cooled Version Only - 110/115V 60 Hz	
0006	OKK218	23175						CONDENSER PRESSURE SWITCH		48,52
0007	085283	R23005		S				BIN THERMOSTAT; K50-L3121		15,68
0008	087969	R23591		S				EVAPORATOR THERMOSTAT		26,40
0009	000000	23222							220/240V 50 Hz - 18 g Cube	
0009	000000	23786							110/115V 60 Hz - 33 g Cube	
0009	000000	23786							110/115V 60 Hz - 42 g Cube	
0009	085285	23247		S				TIMER	220/230V 60 Hz - 13 g Cube	58,57
0009	085285	23247		S				TIMER	220/240V 50 Hz - 13 g Cube	58,57
0009	085329	23248		S				TIMER	220/230V 60 Hz - 18 g Cube	58,57
0009	085329	23248		S				TIMER	220/240V 50 Hz - 33 g Cube	58,57
0009	091317	23780						TIMER; 4 CAMME 18'	220/230V 60 Hz - 33 g Cube	59,99
0009	091317	23780						TIMER; 4 CAMME 18'	220/230V 60 Hz - 42 g Cube	59,99
0009	091317	23780						TIMER; 4 CAMME 18'	220/240V 50 Hz - 42 g Cube	59,99
0009	099423	23259						TIMER	110/115V 60 Hz - 18 g Cube	78,44
0009	OKK217	23258			D			TIMER	110/115V 60 Hz - 13 g Cube	65,67
0010	085609	23327		S				LIGHT SWITCH; GREEN; 0-1		3,25
0011	000000	C23457							Parts for Wayer Cooled Version Only - Only 220V 50 Hz	
0012	OKK203	C23114	085286					SAFETY THERMOSTAT	Parts for Wayer Cooled Version Only	